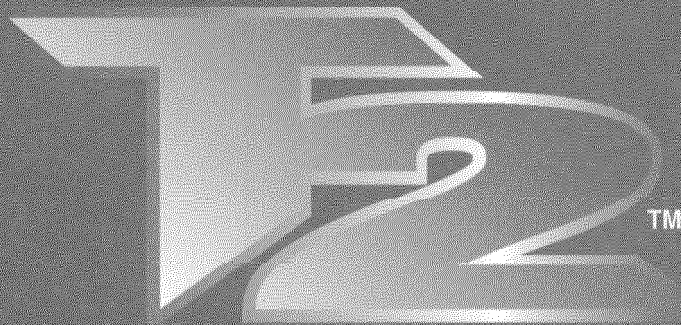
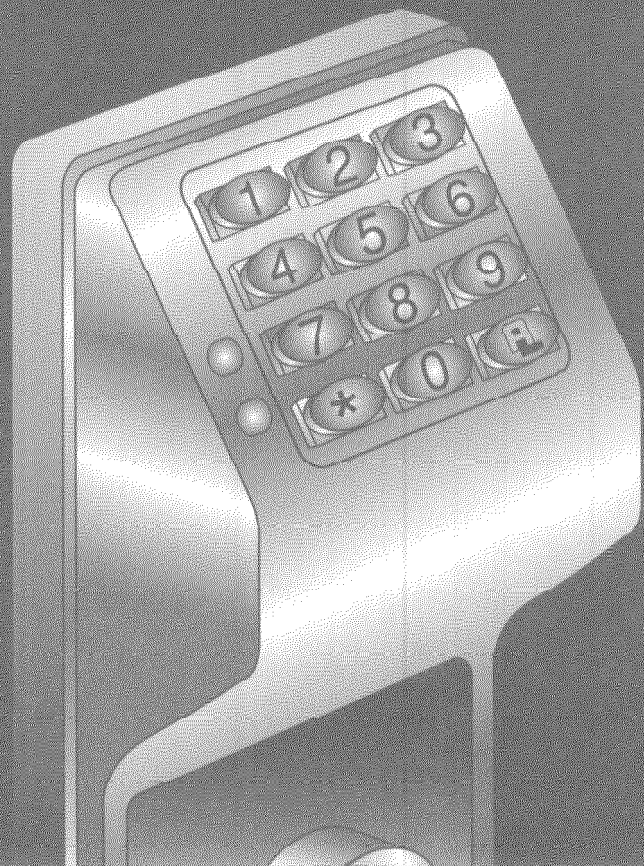


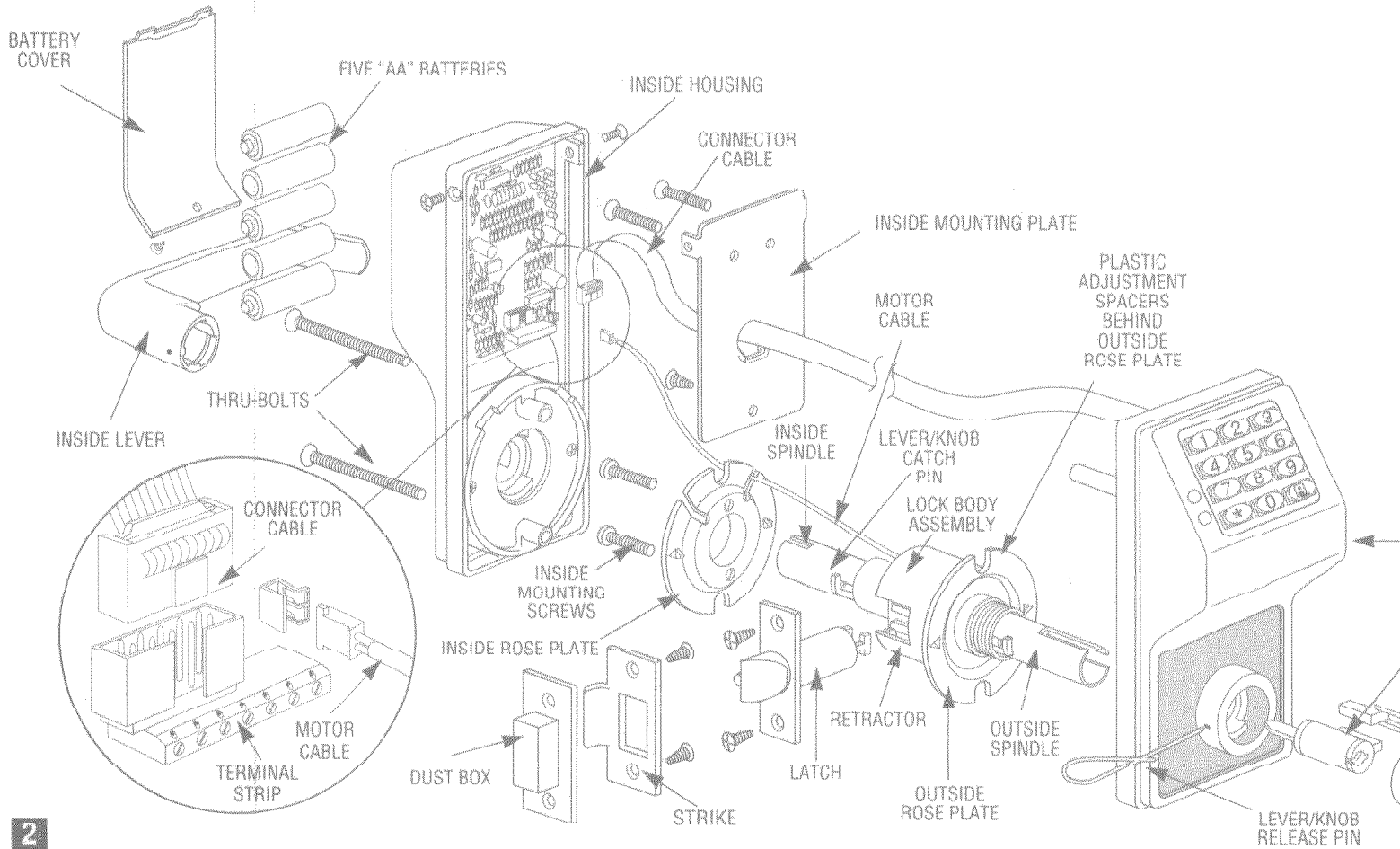
MODEL DL2700 INSTALLATION INSTRUCTIONS



TRIOLOGY

**THE KEYLESS
ELECTRONIC
LOCKSET**

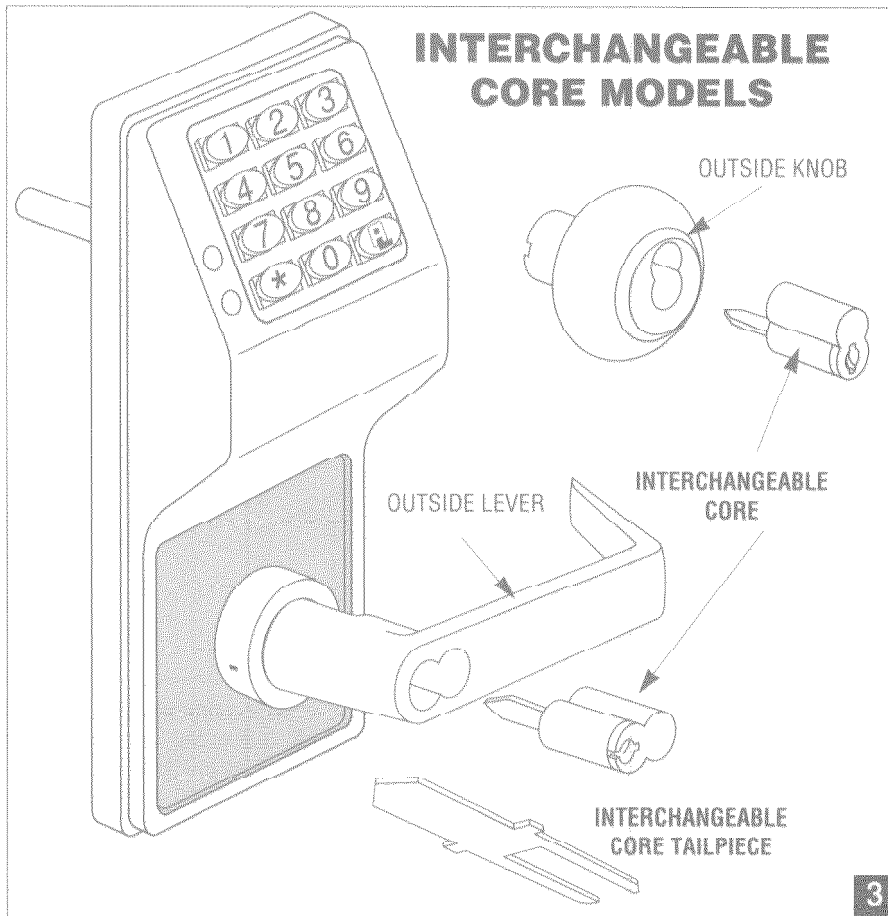
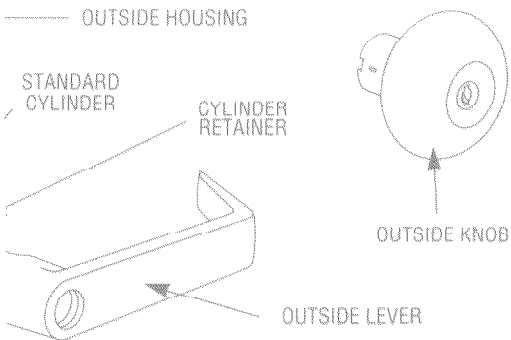




TRTM

TRILOGY

THE KEYLESS ELECTRONIC LOCKSET



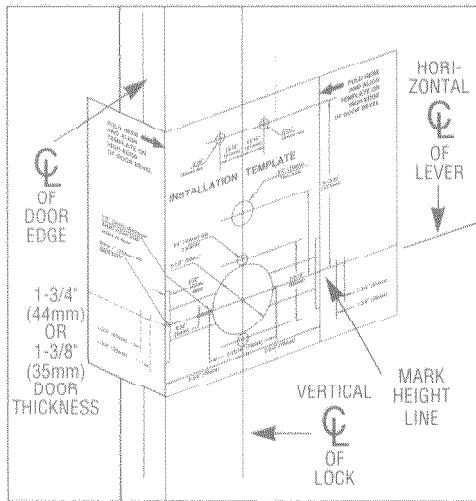


FIG. 1. DOOR PREPARATION:

1. Fold and place template on high edge of door at the recommended height from floor.
2. Mark hole centers on door and door edge.
3. Drill 3/8" Thru-Bolt holes first, then drill 2-1/8" hole.

FOR HARDWOOD DOORS:

Notch on both sides of 2-1/8" hole to accommodate mounting plate tabs.

FOR HOLLOW METAL DOORS require horizontal and vertical lock and latch case support. Provided by door manufacturer.

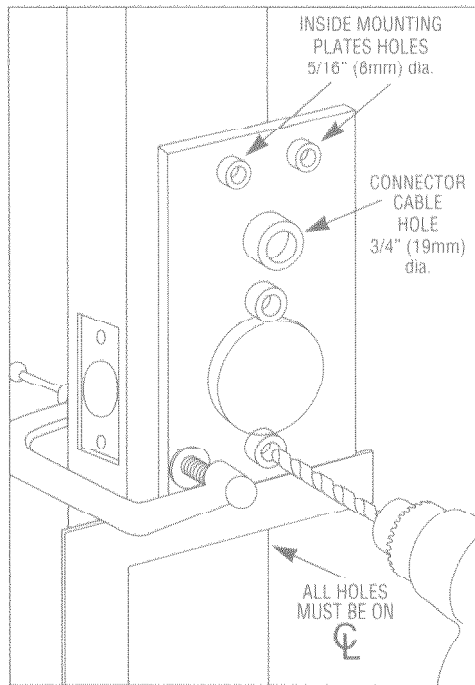


FIG. 2. ALARM LOCK INSTALLATION JIG

1. If 2-1/8" hole exists, use optional Alarm Lock Installation Jig to insure accurate locating and drilling of 3/8" Thru-Bolt holes.
2. For best results, align the Installation Jig to door with a square and clamp to door before drilling.

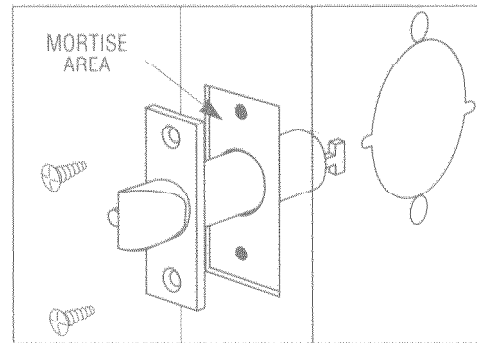


FIG. 3. LATCH INSTALLATION

1. Drill 1" diameter hole for latch. Mortise for latch front. Insert latch and fasten with two screws supplied.
- NOTE:** It is important that both 1" and 2-1/8" holes be on the same horizontal center line.

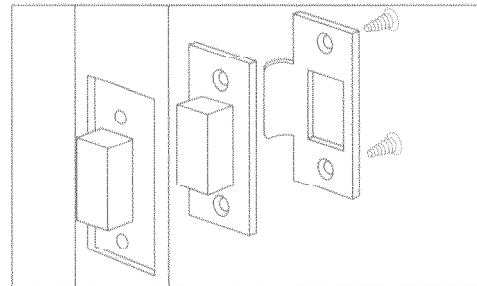


FIG. 4. STRIKE INSTALLATION

1. Align strike with latch.
2. Trace strike outline on door jamb.
3. Mortise jamb and install strike and dust box.

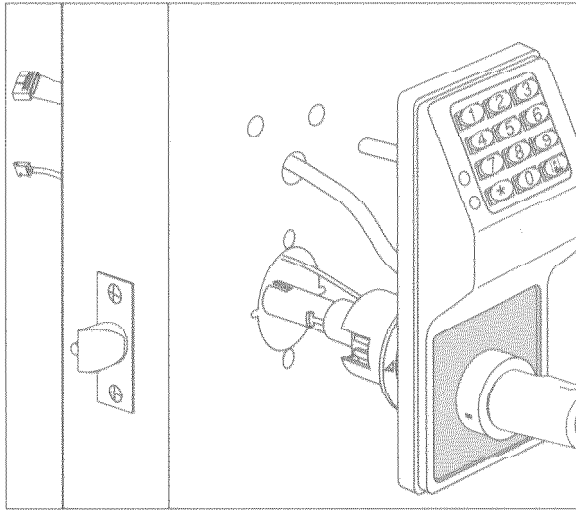


FIG. 5a. PREPARING LOCK FOR INSTALLATION

1. Insert the Lever/Knob Catch Pin into hole in the inside housing, depress Lever/Knob Catch and pull off lever/knob.
2. With the same pin depress the Lever/Knob Catch again to remove the inside housing.

**FIG. 5b. INSTALLING OUTSIDE TRIM ASSEMBLY
(Lever, Housing & Lock body)**

3. With inside lever & housing removed insert Motor wire through 2-1/8" hole & Connector wire through the 3/4" hole.
4. Insert Outside trim assembly into door and be sure to properly engage the lock body with the latch.
See "View from inside of door" diagram.
5. Latch Yoke must engage lock housing and tailpiece must engage Retractor.

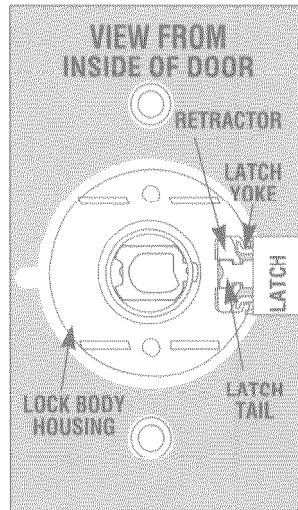


FIG. 7. HOW TO ADJUST DOOR THICKNESS:

Locks are factory assembled for 1-3/4" thick doors using 3 plastic spacers. **For other door thickness:**

1. Remove outside lever/knob, outside housing and unscrew outside rose plate.
- 2a. For 1-5/8" door remove one plastic spacer.
- 2b. For 1-7/8" door add one plastic spacer.
3. Screw mounting rose plate up to spacers.
4. Reassemble housing and lever/knob.

FOR OTHER DOOR THICKNESS CONSULT FACTORY

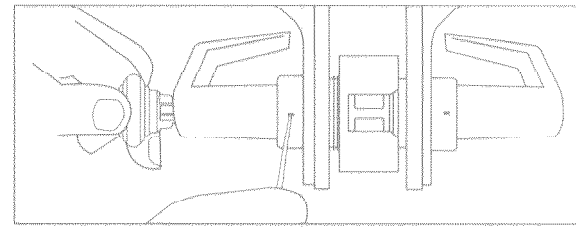
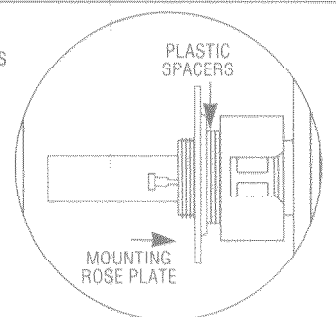


FIG. 6. TO REVERSE HANDING

With the inside Lever and Housing off:

1. Insert key into outside cylinder & turn 45°, depress Lever/Knob Catch & pull Lever/Knob off.
4. Rotate lock body 180°. Be sure Lever/knob catch faces the door edge. **If necessary depress Lever/Knob Catch & rotate outside spindle 180°.**
- 6a. Replace lever with key in cylinder at 45° angle and press on until Lever/Knob Catch engages.
- 6b. Replace knob with key in cylinder at 45° angle. Depress Lever/Knob Catch & push knob until Lever/Knob Catch engages.
7. Pull lever/knob to test for proper engagement.

FOR IC CORE MODELS SEE FIG. 10.

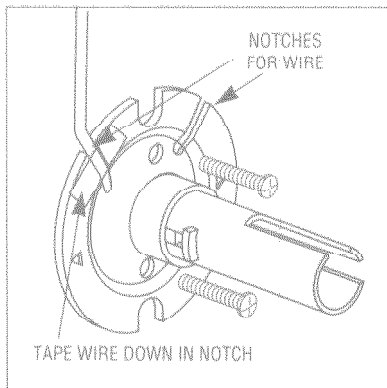


FIG. 8. INSTALLING INSIDE TRIM:

1. Place Inside Rose Plate over spindle and on door with the two notches facing up.
2. Insert Motor Wire through the Inside Rose plate and tape wire down in the notch to be sure the housing will not pinch or cut before fastening bolts.
3. Insert and fasten two mounting bolts.

IMPORTANT: The Motor Wire must come through either notch and lie within the notch without pinching or cutting the wire.

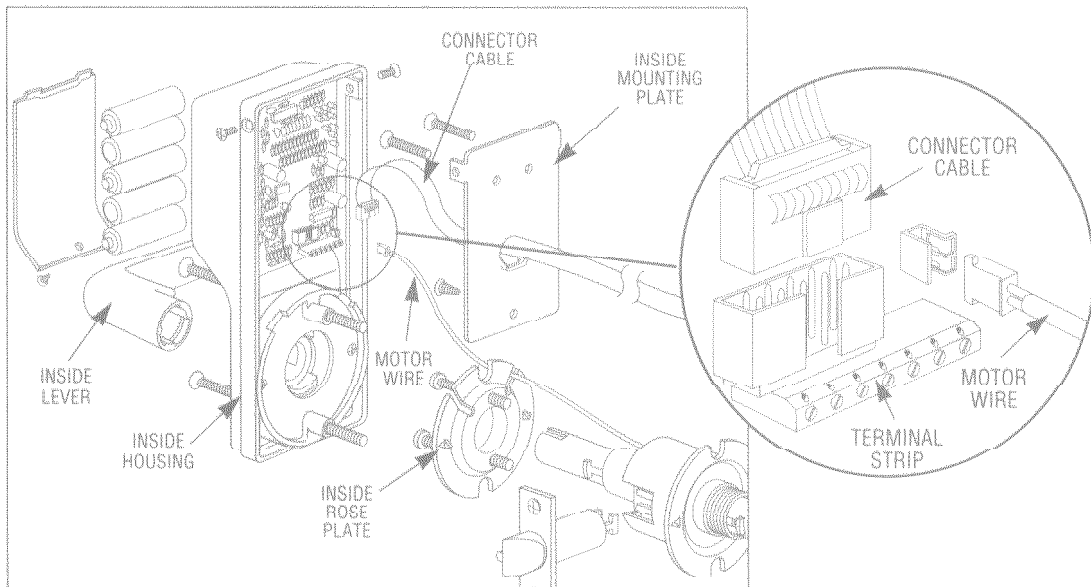


FIG. 9. INSTALLING INSIDE TRIM (Housing & Lever)

1. Pull the Connector Cable through the Inside Mounting Plate. Position plate on door and fasten with two 9/32"x1" long F.H.M.S. Fasten wood screw at bottom.
2. Plug the Connector Cable and the Motor Wire into the Housing. **Note: The connectors fit only one way (do not force them in). See inset.**
3. Place Inside Housing over the inside spindle, making sure that all wires are inside of the housing before tightening the two thru bolts.
4. Place Inside Lever/Knob on spindle and push on

until it engages with Lever/Knob Catch. Test lever/knob to be sure it is on securely and operates without binding.

5. Fasten two 6/32" x 3/8" long F.H.M.S. on side of housing.
6. Place 5 "AA" batteries into battery holder.

IMPORTANT: Batteries must be in proper position (+) and (-) in order for lock to properly operate.

TEST LEVERS/KNOBS & CYLINDERS FOR PROPER OPERATION

7. Insert battery cover and fasten with 4-40 x 1/4" F.H.M.S.
FOR PROGRAMMING, SEE PROGRAMMING INSTRUCTIONS.

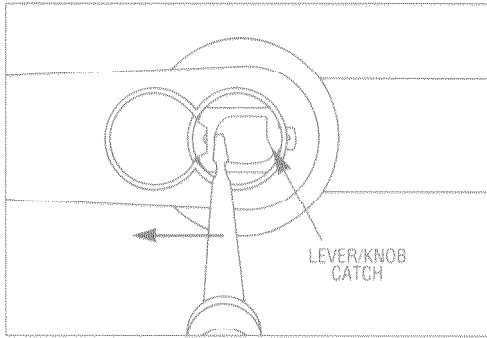


FIG. 10. TO REMOVE IC CORE LEVER/KNOB

- 1 With screwdriver inside lever/knob, push inside of Lever/Knob Catch to rear and pull off lever/knob.

TO INSERT IC CORE

2. Insert Alarm Lock tailpiece into cylinder.
3. With control key in cylinder turn clockwise.
4. Insert cylinder into lever/knob and turn key counterclockwise to lock in position.
5. Remove control key.

TO REMOVE CYLINDER, REVERSE PROCEDURE

For Handing and Door thickness, see Figs. 6 and 7.

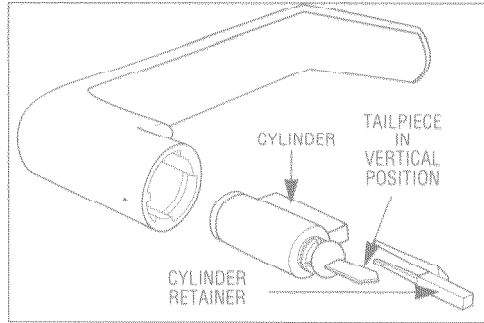


FIG. 11. CHANGING CYLINDER:

1. Remove outside lever/knob. See Fig. 6
2. Remove key from cylinder and pull plastic cylinder retainer from lever (using pliers), then remove cylinder.

TO REPLACE CYLINDER:

1. Tailpiece must be in vertical position in cylinder.
2. Insert cylinder in lever.
3. Press cylinder retainer into lever until flush with base of lever.

NOTE: USE TAILPIECE IN VERTICAL POSITION.

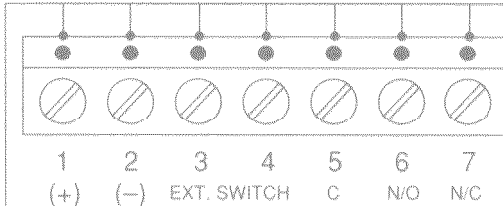


FIG. 12 TERMINAL BLOCK FUNCTIONS

1	2	3	4	5	6	7
+	-	Remote release	N/O	C	N/C	N/C
Optional D.C. Power Input 6 VDC		Pushbutton or switch			Remote output for monitoring or activation of external device	• 5-second changeover when correct code is entered

No additional power supply or electric strikes are required.

TROUBLESHOOTING

ELECTRONIC TROUBLE

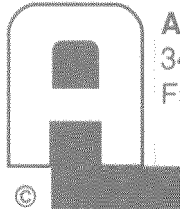
SOLUTION

Lock will open with or without entering code.	Check for proper insertion of Motor Connector.
Lock will not accept new codes during programming.	Remove batteries, hold down any button until lock resets, then install batteries and start programming again.
Lock drains batteries quickly.	Check all wires for pinching or cutting. Check for water damage. If condition persists, consult factory.
Lock is completely dead.	Check batteries for proper polarity and check for cut wires.
Lock emits steady tone when any button is pressed.	Low battery signal - replace batteries.

MECHANICAL TROUBLE

SOLUTION

Lever/knob pulls off.	Lever/knob Catch not fully engaged. Lock is not centered on door. Door too thick.
Unable to assemble outside lever.	Key and tailpiece orientation is incorrect.
Latch will not fully retract.	Lock is not properly engaged with latch or mis-aligned. Lock is not centered on door.
Key binds in lock.	Lever/knob Catch not fully engaged. Lock is not centered on door. Check for proper tailpiece and proper orientation of tailpiece.



ALARM LOCK SYSTEMS, INC. is a *division of the* **NAPCO Security Group**
345 Bayview Avenue, Amityville, NY 11701 (516) 789-4871 1-800-ALA-LOCK
Fax: (516) 789-3383

© 1996, Alarm Lock "Trilogy®" is a registered trademark of Alarm Lock
"T2™" and "T2 Trilogy™" are trademarks of Alarm Lock